



MASERGY



USER GUIDE | CLOUD COMMUNICATIONS



MASERGY

**GDS3710
Hemispheric HD IP
Video Door System**

Quick Installation Guide

March 2019

GDS3710 VIDEO DOOR ACCESS SYSTEM - QUICK INSTALLATION GUIDE

PRECAUTIONS

- Do not attempt to disassemble or modify the device
- Strictly follow the requirement of power source
- Do not expose this device to temperatures out the range of -30 °C to 60 °C for operating and -35°C to 60°C for storage
- Do not expose this device to environments outside of the following humidity range: 10-90% RH (non-condensing)
- Please strictly follow the instruction to install or hire professionals to install properly

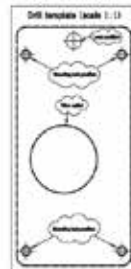
PACKAGE CONTENTS



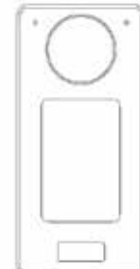
1 x GDS3710



1 x Installation
Bracket



1 x Drilling
Template



1 x Protecting
Cap



3x Rubber Gaskets



6 x Back Panel Screws



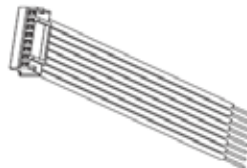
6 x Bracket Screws and
Anchors



4 x Anti-tamper Screws



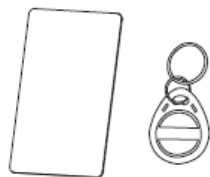
1 x Anti-tamper Hex Key



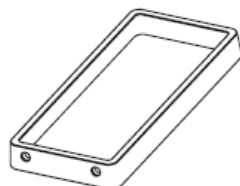
1 x Wiegand Cable



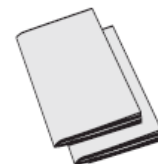
1 x Lens Cleaning Cloth



1 x RFID Card
1 x RFID Key Fob



1 x Frame Back Cover



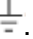
1 x Quick Installation Guide
1 x GPL License

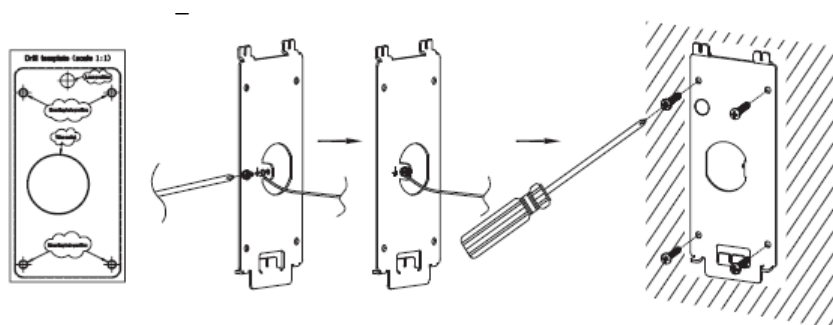
GDS3710 VIDEO DOOR ACCESS SYSTEM - QUICK INSTALLATION GUIDE

MOUNTING GDS3710

On-Wall (Surface) Mounting

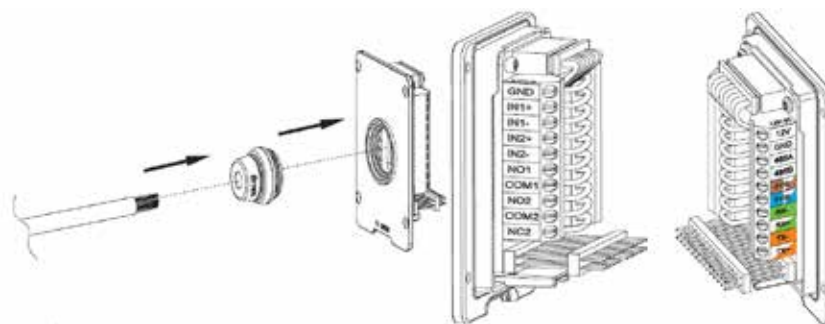
Step 1:

Refer to the “drilling template” to drill holes at targeted place on wall then mount the installation bracket using the four screws and anchors provided (screwdriver not provided). Connect and tighten “Ground” wire (if available) to the bracket ground marked with printed icon .



Step 2:

Pull Cat5e or Cat6 cable (not provided) through the rubber gasket selecting the correct size and the back cover panel piece, please refer to “GDS 3710 WIRING TABLE” at the end of QIG for Pin connections.



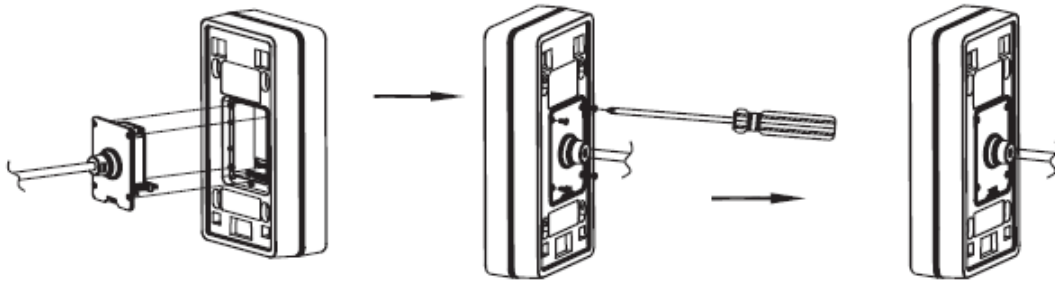
Note:

Needle nose plier highly recommended and 2.5mm flat screwdriver required (not provided). Stripping outer plastic shield of the cable in less than 2 inches suggested. Do NOT leave bare metal outside the socket by over stripping the inner plastic shield of the wires.

GDS3710 VIDEO DOOR ACCESS SYSTEM - QUICK INSTALLATION GUIDE

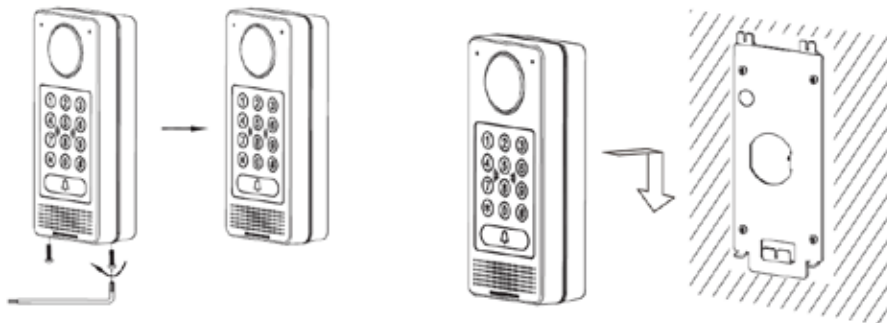
Step 3:

Make sure the “Back Cover Frame” is in place, the wired back cover panel is good. Flush the back cover panel piece with the whole back surface of device, tighten it using the screws provided.



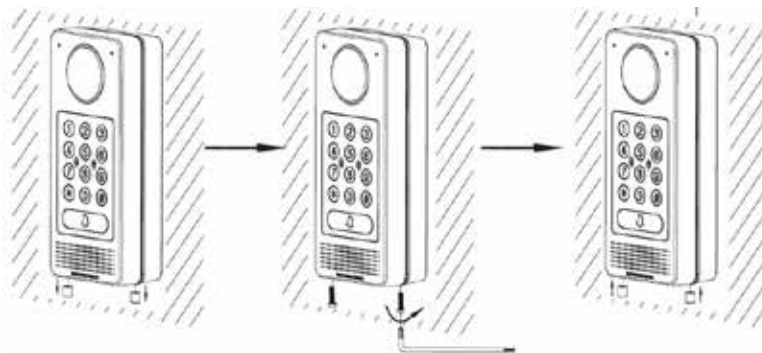
Step 4:

Take out the two preinstalled anti-tamper screws using the hex key provided. Carefully align the GDS3710 to the metal bracket on wall, press and pull the GDS3710 down to the right position.



Step 5:

Install the two anti-tamper screws back using the hex key provided (do NOT over tighten the screws). Cover the two screw holes on the bottom of “Back Cover Frame” piece using the two silicon plugs provided. Final check and finish the installation.



In-Wall (Embedded) Mounting

Please refer to the “In-Wall (Embedded) Mounting Kit”, which can be purchased separately from Grandstream.

GDS3710 VIDEO DOOR ACCESS SYSTEM - QUICK INSTALLATION GUIDE

CONNECTING THE GDS3710

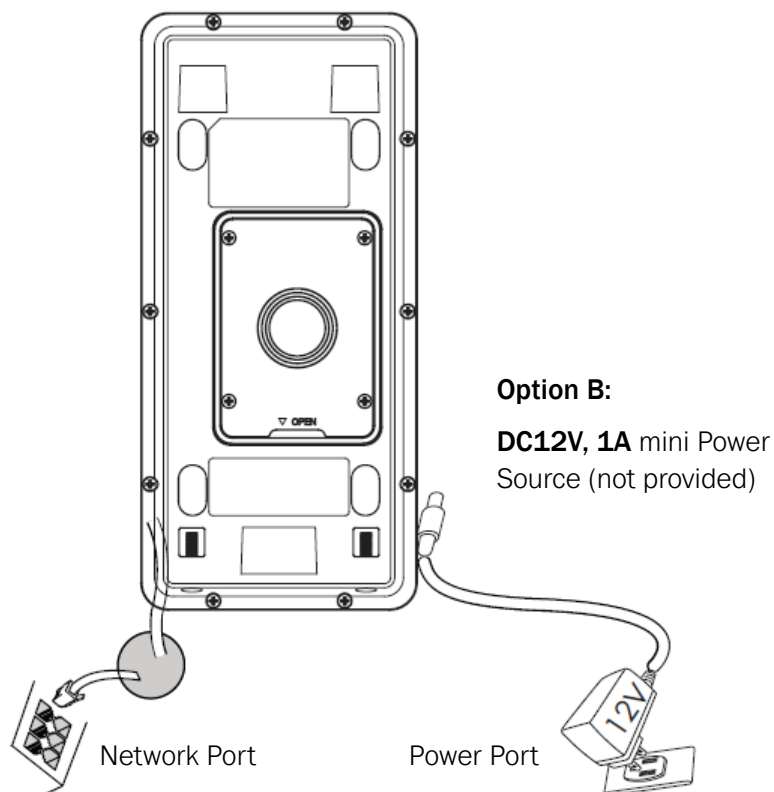
Refer to the illustration below and follow the instructions on the next page.

POWER OFF GDS3710 when connecting wires or inserting/removing the back cover panel piece!



Option A:

RJ45 Ethernet Cable to **(Class 3)** Power over Ethernet (PoE) Switch.



Note:

Choose Option A if using PoE switch (Class 3);

OR: Option B if using 3rd party power source.

GDS3710 VIDEO DOOR ACCESS SYSTEM - QUICK INSTALLATION GUIDE

Option A

Plug an RJ45 Ethernet cable into the **(Class 3)** Power over Ethernet (PoE) switch.

Option B

Step 1:

Select an external **DC12V, minimum 1A** power source (not provided). Wire correctly the “+,-” cable of the power into the “**12V, GND**” connector of the GDS3710 socket (refer to the previous mounting page for instruction). Connect the power source.

Step 2:

Plug an RJ45 Ethernet cable into a network switch/hub or router.

Note:

Please refer to “Step 2” of “MOUNTING GDS3710” and “GDS3710 WIRING TABLE” at the end of QIG for all the wiring and connection illustration and instructions.

GDS3710 CONFIGURATION

The GDS3710 is by default configured to obtain the IP address from DHCP server where the unit is located.

In order to know which IP address is assigned to your GDS3710, please use GS Search tool as illustrated in following steps.

Note:

If no DHCP server is available, the GDS3710 default IP address (after 5 minutes DHCP timeout) is **192.168.1.168**.

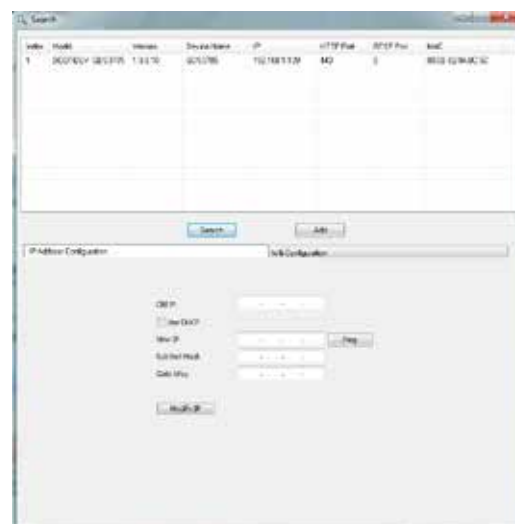
Step 1: Download and install GS Search tool:

<http://www.grandstream.com/support/tools>

Step 2: Run the Grandstream GS Search tool on a computer connected to same network/ DHCP server.

Step 3: Click on button to start device detection.

Step 4: The detected devices will appear in the output field as show on the right.



GDS3710 VIDEO DOOR ACCESS SYSTEM - QUICK INSTALLATION GUIDE

Step 5:

Open the web browser and type the displayed IP address of GDS3705 with leading **https://** to access the web GUI. (For security reasons, the default web access of GDS3705 is using **HTTPS** and port **443**.)

Step 6:

Enter username and password to login.

(The default administrator username is “admin” and the default random password can be found at the sticker on the GDS3710). **Important: please do not remove this sticker from the GDS door phone.**

Note:

For security reasons, Masergy has already changed the default admin password.



GRANDSTREAM
CONNECTING THE WORLD

GDS3710

Username

Password [Forgot password?](#)

Language English

Login

Step 7:

After login into the WebGUI, click the left side menu in the web interface for more detailed and advanced configuration.

GDS3710 VIDEO DOOR ACCESS SYSTEM - QUICK INSTALLATION GUIDE

Step 8:

To view video feed, access to **LiveView**.

Click “Play” button to view the selected video feed.

Below is an example screenshot with the successful Plug-in installation.



Refer to online documents and FAQ for more detailed information: <http://www.grandstream.com/our-products>

GDS3705 WIRING TABLE

GDS3710 VIDEO DOOR ACCESS SYSTEM - QUICK INSTALLATION GUIDE

Jack	Pin	Signal	Function
J2 (Basic) 3.81mm	1	TX+ (Orange/White)	Ethernet, PoE 802.3af Class3. 12.95W
	2	TX- (Orange)	
	3	RX+ (Green/White)	
	4	RX- (Green)	
	5	PoE_SP2 (Blue + Blue/White)	
	6	PoE_SP1 (Brown + Brown/White)	
	7	RS485_B	RS485
	8	RS485_A	
	9	GND	Power Supply
	10	12V	
J3 (Advanced) 3.81mm	1	GND	Alarm GND
	2	ALARM1_IN+	Alarm In
	3	ALARM1_IN-	
	4	ALARM2_IN+	
	5	ALARM2_IN-	Alarm Out
	6	NO1	
	7	COM1	
	8	NO2	Electric Lock
	9	COM2	
	10	NC2	
J4 (Special) 2.0mm	1	GND (Black)	Wiegand Power GND
	2	WG_D1_OUT (Orange)	Wiegand Output Signal
	3	WG_DO_OUT (Brown)	
	4	LED (Blue)	Wiegand Output LED Signal
	5	WG_D1_IN (White)	Wiegand Input Signal
	6	WG_DO_IN (Green)	
	7	Beep (Yellow)	Wiegand Output BEEP Signal
	8	5V (Red)	Wiegand Power Output

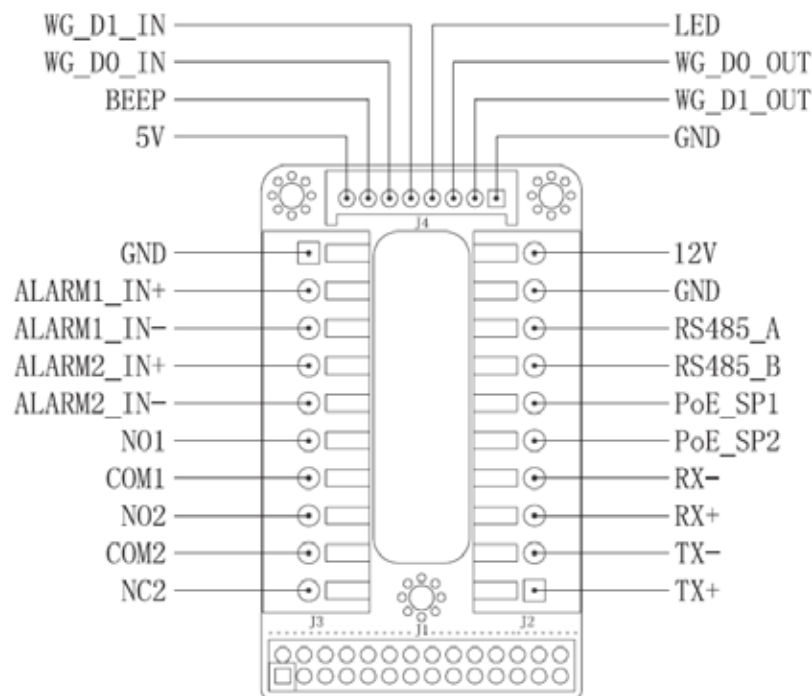
For more details regarding GDS3710 wiring, please refer to [User Manual](#).

GDS3710 VIDEO DOOR ACCESS SYSTEM - QUICK INSTALLATION GUIDE

Electric Lock			GDS3705 Connection			Door
Type	Power On	Power Off	NC2	NO2	COM2	Normal Status
Fail Safe	Lock	Open	■		■	Lock
				■	■	Open
Fail Secure	Open	Lock		■	■	Lock
			■		■	Open

Note:

- Please select the correct wiring based on different electric strike/lock and the normal status of door.
- Electric Magnetic Lock will work at **Fail Safe** mode ONLY.



Note:

1. Power PoE_SP1, PoE_SP2 with DC, the voltage range is 48V~57V, no polarity.
2. Power with PoE the cable wiring:
 - PoE_SP1, brown and brown/white binding
 - PoE_SP2, blue and blue/white binding
3. DC Power could be correctly sourced from qualified PoE Injector.

This product is covered by one or more of the U.S. patents (and any foreign patent counterparts thereto) identified at www.cmspatents.com.